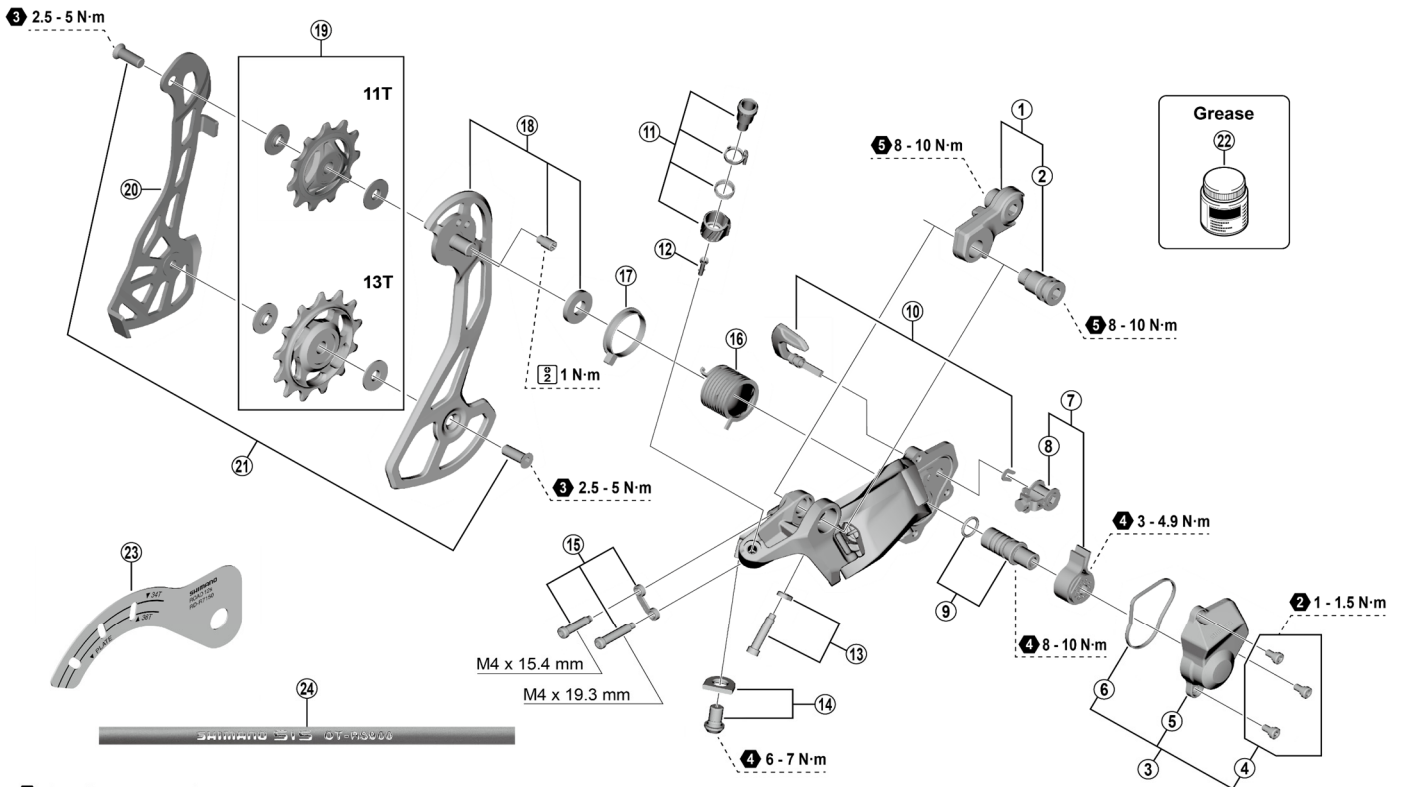


GRX Rear Derailleur (12-speed) RD-RX820



- 2** 2 mm hexagon wrench
- 3** 3 mm hexagon wrench
- 4** 4 mm hexagon wrench
- 5** 5 mm hexagon wrench
- 2** Cross head screwdriver [#2]

RD-RX820

ITEM NO.	SHIMANO CODE NO.	DESCRIPTION	INTERCHANGEABILITY
1	Y3E998020	Mounting screw unit	
2	Y3E958000	B-Axle	
3	Y3JS98020	Plate cover unit	
4	Y5Y198070	Plate unit cover screw set (3 pcs.)	A
5	Y3JS9801T	Plate unit cover	
6	Y3FK41000	Plate unit cover gasket	
7	Y3GE98060	Stabilizer unit	
8	Y5Y198120	Cam unit	
9	Y5PV98060	Plate axle and O-ring	A
10	Y3JS98030	Switch lever unit and fixing plate	
11	Y3E998030	Cable adjustment barrel unit	A
12	Y5PV48000	Cover with tongue	A
13	Y3E998040	End adjusting screw (M4 x 18) and plate	
14	Y3F398040	Cable fixing screw and plate	A
15	Y3JS98040	Stroke adjusting screws and plate	
16	Y5PV17000	Plate tension spring	
17	Y5PV24000	P-seal ring	
18	Y3GE98040	Outer plate assembly	
19	Y3JS98010	Tension and guide pulley set	
20	Y3JS9802T	Inner plate	
21	Y3FW98090	Pulley screw (2 pcs.)	A
22	Y04121000	Grease for stabilizer (Net. 50 g)	A
23	Y3JS9803T	GG adjustment gauge	
24	Y0BM98011	OT-RS900 (black) 240 mm x 10 pcs. (with sealed outer cap and outer cap with long tongue)	A
	Y0BM98021	OT-RS900 (white) 240 mm x 10 pcs. (with sealed outer cap and outer cap with long tongue)	A
	Y0BM98031	OT-RS900 (red) 240 mm x 10 pcs. (with sealed outer cap and outer cap with long tongue)	A
	Y0BM98041	OT-RS900 (high-tech gray) 240 mm x 10 pcs. (with sealed outer cap and outer cap with long tongue)	A

A: Same parts.

B: Parts are usable, but differ in materials, appearance, finish, size, etc.

Absence of mark indicates non-interchangeability.

Specifications are subject to change without notice.

Torque information is listed.

Sep.-2023-5005

© Shimano Inc. I

SHIMANO