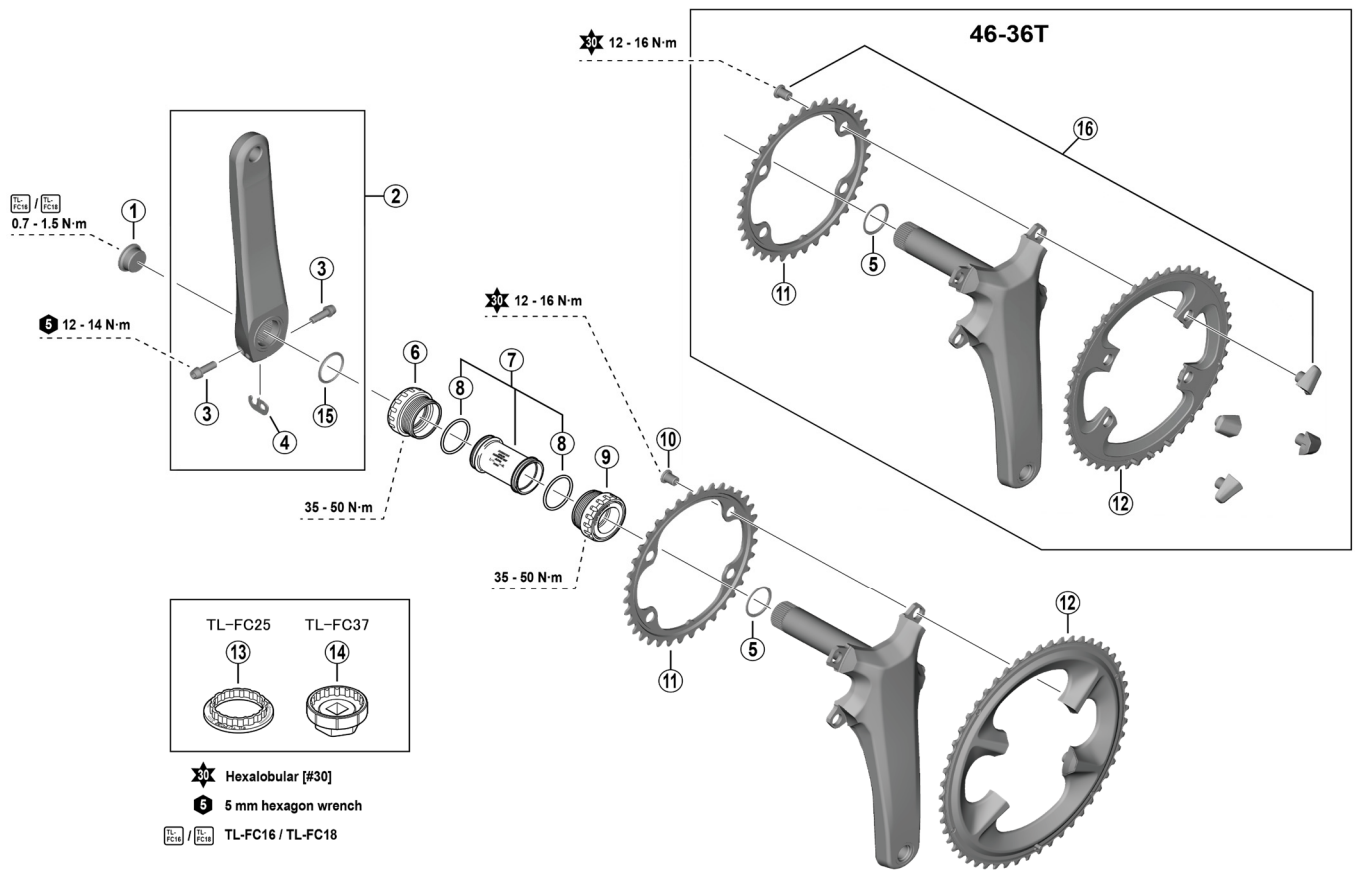


ULTEGRA Crankset FC-R8100 SM-BBR60



• Chaining teeth combinations: 46-36T/50-34T/52-36T

• P.C.D. 110 mm

ITEM NO.	SHIMANO CODE NO.	DESCRIPTION
1	Y1KS13000	Crank mounting screw
2	Y0NG98030	Left-hand crank arm unit 160 mm
	Y0NG98040	Left-hand crank arm unit 165 mm
	Y0NG98050	Left-hand crank arm unit 170 mm
	Y0NG98060	Left-hand crank arm unit 172.5 mm
	Y0NG98070	Left-hand crank arm unit 175 mm
3	Y1GS22100	Crank fixing screw (M6 x 19) with washer
4	Y1GE98050	Plate
5	Y0MZ14000	Ring R
6	Y1P598010	Left-hand cup (B.C.1.37" x 24T) english thread (SM-BBR60)
	Y1P598020	Left-hand cup (M36 x 24T) italian thread (SM-BBR60)
7	Y1G398150	Inner cover and O-ring
8	Y1TF21000	O-ring
9	Y1P598030	Right-hand cup (B.C.1.37" x 24T) english thread (SM-BBR60)
	Y1P598040	Right-hand cup (M36 x 24T) italian thread (SM-BBR60)
10	Y1H598160	Chainring fixing screw (M8 x 10.1 / 1 unit = 4 pcs.)
11	Y0NG34000	Chainring 34T-NK
	Y0NG36000	Chainring 36T-NH
* 12	Y0MZ98110	Chainring 46T-NH
	Y0NG98010	Chainring 50T-NK
	Y0NG98020	Chainring 52T-NH
13	Y13009260	TL-FC25 Bottom bracket cup tool
14	Y13009270	TL-FC37 Bottom bracket cup tool
* 15	Y0MZ9801T	Ring L
* 16	Y0NG98080	46-36T Chainring fixing bolt (M8 x 10.1 / 1 unit = 4 pcs.) and nut (1 unit = 4 pcs.)

Nov.-2023-4862A

© Shimano Inc. I

Specifications are subject to change without notice.

Torque information is listed.

SHIMANO